



WORKSPACE PRODUCTIVITY TOOLS

INTEG PRODUCT CATALOGUE QUARTER 2 2016/2017



Modtec Industries Ltd
PO Box 14, Silverdale
Auckland 0932, New Zealand

Phone
(+64)9 426 9449

Fax
(+64) 9 426 9449

Email
order@integinternational.com

Integ

Table of contents

Ar-ray products	3
<i>Single screen</i>	3
<i>Dual screen</i>	3
<i>Single screen + Laptop tray</i>	4
<i>Ar-ray Additions</i>	4
Apollo solutions	5
Desk mount solutions.....	5
<i>Single screen</i>	5
<i>Dual screen</i>	6
<i>Triple screen</i>	7
<i>Quad screen</i>	8
<i>Six screen</i>	9
<i>With laptop tray</i>	10
<i>With electrical fittings</i>	11
<i>Full solutions</i>	11
<i>CMS Snap-in</i>	12
<i>Elsafe Snap-in</i>	13
<i>Desk Mount Extrusions</i>	14
Wall mount solutions.....	15
<i>Single screen</i>	15
<i>Dual screen</i>	16
<i>Wall mount Extrusions</i>	17
Electric height adjustment.....	18
<i>Height Adjustable Tables</i>	18
<i>Electric kitset units</i>	19
<i>Electric kitset units – For existing Linak desks</i>	20
<i>Electric kitset unit – Other layouts in development</i>	21
Floor to ceiling.....	22
Freestanding Solutions.....	23
Divider Screen Mount Solutions.....	24
Monitor arms.....	25
Desk clamps.....	26
Large Screen brackets.....	27
<i>Adapters for standard arms</i>	27
<i>Large brackets for Apollo6 mounting</i>	28
Accessories.....	29
<i>Trays</i>	29
<i>Arm Limiter</i>	30
<i>Cable clips</i>	31
<i>CPU holders</i>	32
<i>Thin Client Mounts</i>	33
<i>Lights</i>	34
<i>Retrofit</i>	35

FOR TERMS & CONDITIONS PLEASE SEE INTEG.IT/TERMS_NZ



Modtec Industries Ltd
PO Box 14, Silverdale Auckland
0932, New Zealand

Phone

Fax
(+64) 9 426 9449

Email
order@integinternational.com



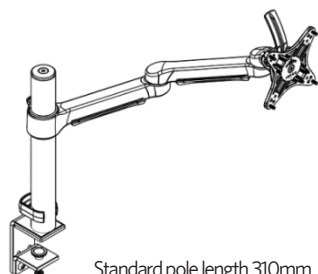
WORKSPACE PRODUCTIVITY TOOLS

Ar-ray products

Single screen

AR-3.1A2D Integ, Ar-ray Series single monitor arm with Split Clamp

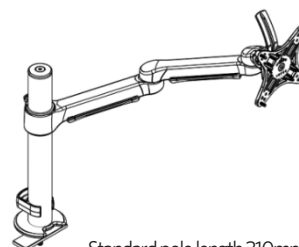
Weight limit: 8kg per arm, 16kg per pole



Standard pole length 310mm
Optional pole lengths 400mm and 600mm

AR-3.1A2KG Integ, Ar-ray Series single monitor arm with Grommet Clamp

Weight limit: 8kg per arm, 16kg per pole

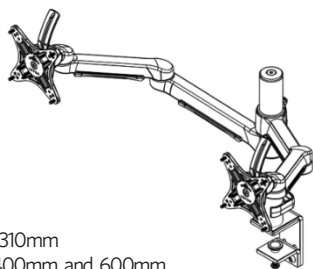


Standard pole length 310mm
Optional pole lengths 400mm and 600mm

Dual screen

AR-3.1A2B2D Integ, Ar-ray dual monitor arm with Split Clamp

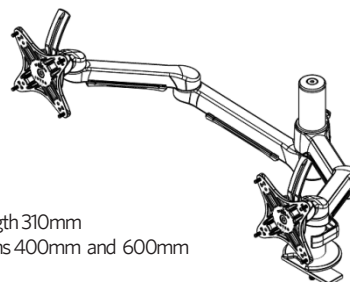
Weight limit: 8kg per arm, 16kg per pole



Standard pole length 310mm
Special pole lengths 400mm and 600mm

AR-3.1A2B2KG Integ, Ar-ray dual monitor arm with Grommet Clamp

Weight limit: 8kg per arm, 16kg per pole



Standard pole length 310mm
Special pole lengths 400mm and 600mm

FOR TERMS & CONDITIONS PLEASE SEE INTEG.IT/TERMS_NZ



Modtec Industries Ltd
PO Box 14, Silverdale Auckland
0932, New Zealand

Phone

Fax
(+64) 9 426 9449

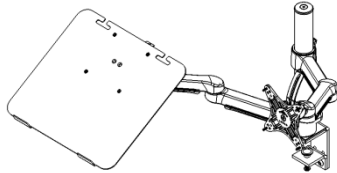
Email
order@integinternational.com

Single screen + Laptop tray

AR-3.1A2B2LD

Integ, Ar-ray Single Monitor Arm with Laptop Tray and Split Clamp

Weight limit: 8kg per arm, 16kg per pole

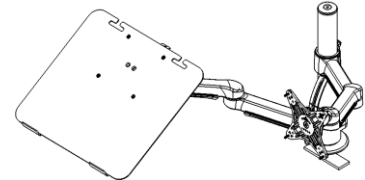


Standard pole length 310mm
Optional pole lengths 400mm and 600mm

AR-3.1A2B2LKG

Integ, Ar-ray Single Monitor Arm with Laptop Tray and Grommet Clamp

Weight limit: 8kg per arm, 16kg per pole



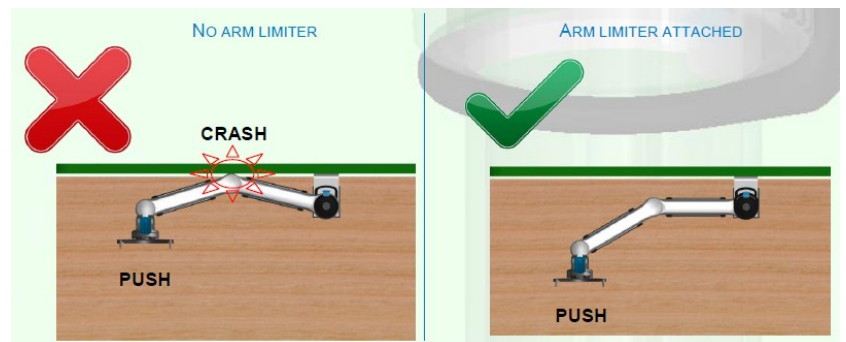
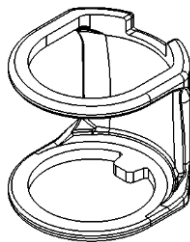
Standard pole length 310mm
Optional pole lengths 400mm and 600mm

Ar-ray Additions

SAM1181

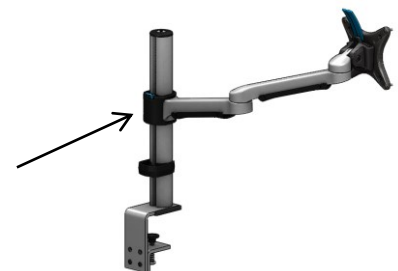
Ar-ray Arm limiter

Colour: Black



The arm limiter can be retrofitted to an existing Ar-ray arm

Note: One limiter required per arm



FOR TERMS & CONDITIONS PLEASE SEE INTEG.IT/TERMS_NZ



Modtec Industries Ltd
PO Box 14, Silverdale Auckland
0932, New Zealand

Phone

Fax
(+64) 9 426 9449

Email
order@integinternational.com



WORKSPACE PRODUCTIVITY TOOLS

Apollo solutions

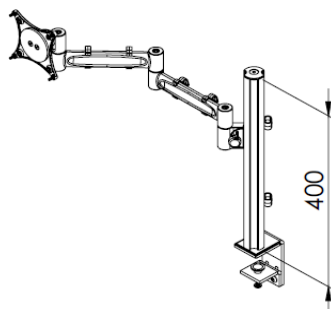
Desk mount solutions

Single screen

MA4-4S2D

Integ, 2-limb Mercury arm, 360 VESA with adjustable slimline split clamp (5 - 95mm), 400mm pole - Silver

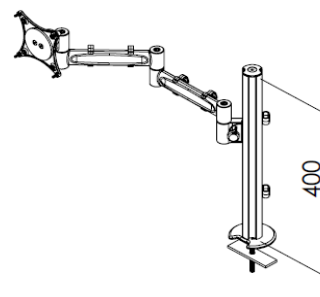
Weight limit: 12kg per arm, 25kg per pole



MA4-4S2KG

Integ, 2-limb Mercury arm, 360 VESA with adjustable grommet clamp (5 - 30mm), 400mm pole - Silver

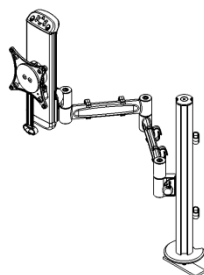
Weight limit: 12kg per arm, 25kg per pole



BMA4-4S2KG

Integ, 2-limb Dynamic Blade monitor arm, Apollo4 400mm pole, adjustable grommet clamp (5 - 30mm) - Silver

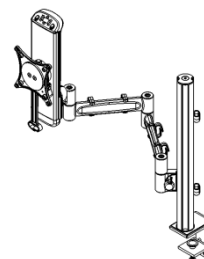
Weight limit: 2.5kg - 6kg per arm
170mm of fingertip height adjustment



BMA4-4S2D

Integ, 2-limb Dynamic Blade monitor arm, Apollo4 400mm pole, adjustable slimline split clamp (5 - 95mm) - Silver

Weight limit: 2.5kg - 6kg per arm
170mm of fingertip height adjustment



FOR TERMS & CONDITIONS PLEASE SEE INTEG.IT/TERMS_NZ



Modtec Industries Ltd
PO Box 14, Silverdale Auckland
0932, New Zealand

Phone

Fax
(+64) 9 426 9449

Email
order@integinternational.com

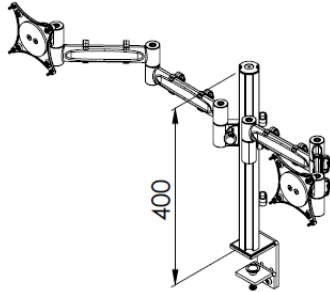
Dual screen



MA4-4D2D

Integ, 2 x 2-limb Mercury arm, 360 VESA with adjustable slimline split clamp (5 - 95mm), 400mm pole - Silver

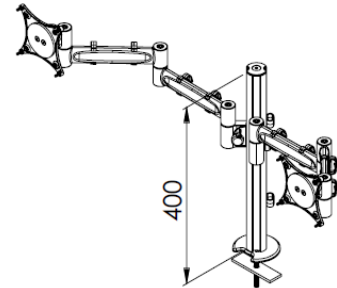
Weight limit: 12kg per arm, 25kg per pole



MA4-4D2KG

Integ, 2 x 2-limb Mercury arm, 360 VESA with adjustable grommet clamp (5 - 30mm), 400mm pole - Silver

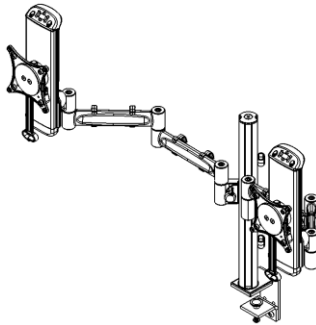
Weight limit: 12kg per arm, 25kg per pole



BMA4-4D2D

Integ, 2 x 2-limb Dynamic Blade monitor arm, Apollo4 400mm pole, slimline split clamp (5 - 95mm) - Silver

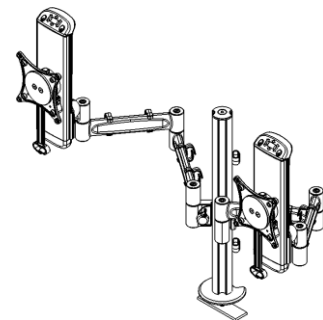
Weight limit: 2.5kg - 6kg per arm
170mm of fingertip height adjustment



BMA4-4D2KG

Integ, 2 x 2-limb Dynamic Blade monitor arm, Apollo4 400mm pole, adjustable grommet clamp (5 - 30mm) - Silver

Weight limit: 2.5kg - 6kg per arm
170mm of fingertip height adjustment



FOR TERMS & CONDITIONS PLEASE SEE INTEG.IT/TERMS_NZ



Modtec Industries Ltd
PO Box 14, Silverdale Auckland
0932, New Zealand

Phone

Fax
(+64) 9 426 9449

Email
order@integinternational.com

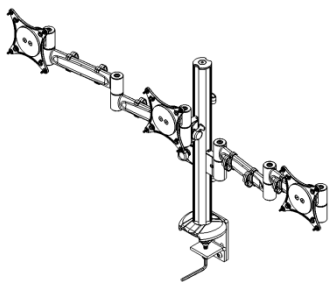
Triple screen



MA4-4S0D2DM

Integ, 2 x 2-limb Mercury arm, 1 x 0-limb, 360 VESA with adjustable split clamp (5 - 95mm), 400mm pole - Silver

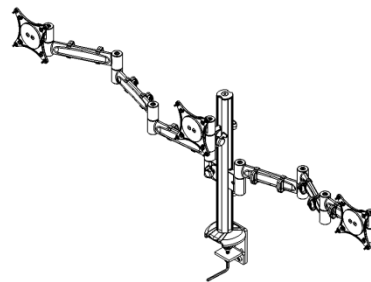
Weight limit: 12kg per arm, 25kg per pole
Max screen size = 17"



MA4-4S0D3DM

Integ, 2 x 3-limb Mercury arm, 1 x 0-limb, 360 VESA with adjustable split clamp (5 - 95mm), 400mm pole - Silver

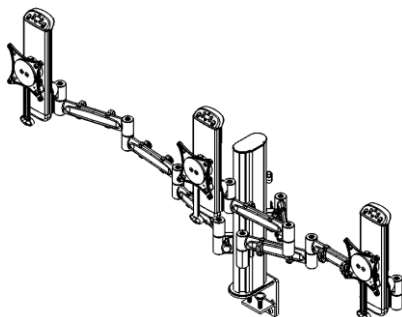
Weight limit: 6kg per 3-limb arm, 12kg per 0-limb arm, 25kg per pole
Max screen size = 24"



BMPP-4S2D3D

Integ, Dynamic Blade triple monitor arm, Apollo4 400mm pole with adjustable split clamp (5 - 95mm) - Silver

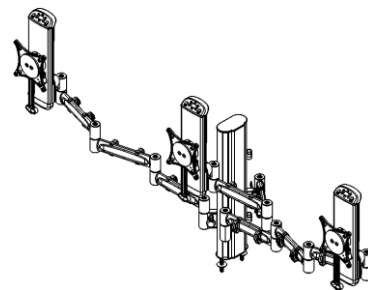
Weight limit: 2.5kg - 6kg per arm
170mm of fingertip height adjustment
Max screen size = 24"



BMPP-4S2D3G

Integ, Dynamic Blade triple monitor arm, Apollo4 pole 400mm pole with adjustable grommet clamp (5 - 30mm) - Silver

Weight limit: 2.5kg - 6kg per arm
170mm of fingertip height adjustment
Max screen size = 24"



FOR TERMS & CONDITIONS PLEASE SEE INTEG.IT/TERMS_NZ



Modtec Industries Ltd
PO Box 14, Silverdale Auckland
0932, New Zealand

Phone

Fax
(+64) 9 426 9449

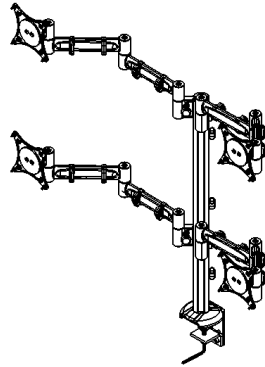
Email
order@integinternational.com

Quad screen

PCPD9-SW0-01 +
PPCD6-SW0-01 +
4 x MAKP2-SAR-10

Quad screen solution: Full split clamp + 600mm
Apollo4 pole + 4 x Mercury 2-Limb arms

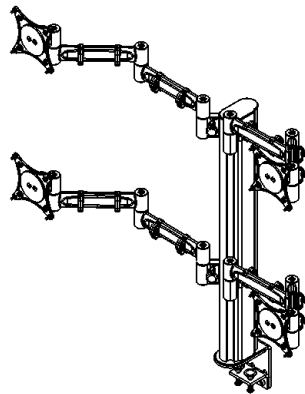
Weight limit: 12kg per arm, 25kg per pole
Max screen size = 30"



PCPD9-SPP-00 +
PPDP6-SW0-01 +
4 x MAKP2-SAR-10

Quad screen solution: A4P+ split clamp + 600mm
Apollo4 Power+ pole + 4 x Mercury 2-Limb arms

Weight limit: 12kg per arm, 50kg per pole
Max screen size = 30"



FOR TERMS & CONDITIONS PLEASE SEE INTEG.IT/TERMS_NZ



Modtec Industries Ltd
PO Box 14, Silverdale Auckland
0932, New Zealand

Phone

Fax
(+64) 9 426 9449

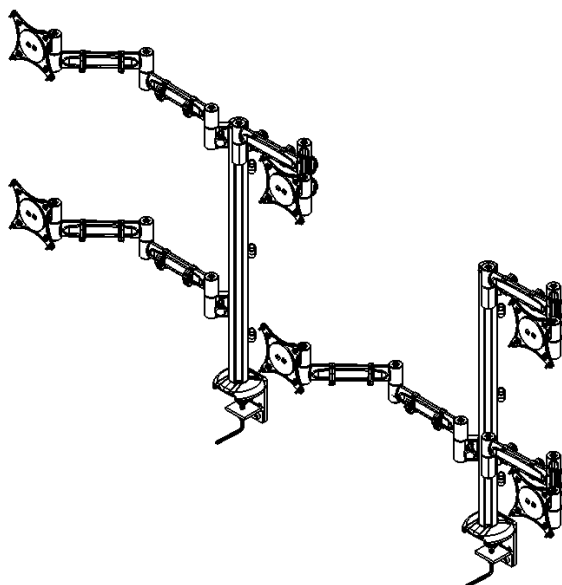
Email
order@integinternational.com

Six screen

2 x PCPD9-SW0-01 +
2 x PPCD6-SW0-01 +
6 x MAKP2-SAR-10

Six screen solution: 2 x Full split clamps + 2 x
600mm Apollo4 pole + 6 x Mercury 2-Limb
arms

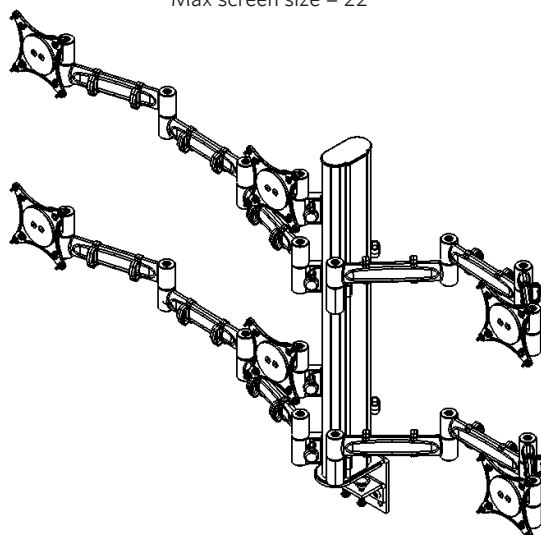
Weight limit: 12kg per arm, 25kg per pole
Max screen size = 30"



1 x PCPD9-SPP-00 +
1 x PPDP6-SW0-01 +
4 x MAKP3-SAR-10 +
2 x MAKP0-SAR-10

Six screen solution: A4P+ split clamp + 600mm
Apollo4 Power+ pole + 4 x Mercury 3-Limb arms + 2
x Mercury 0-Limb arms

Weight limit: 6kg per 3-limb arm, 12 kg per 0-
limb arm, 50kg per pole
Max screen size = 22"



FOR TERMS & CONDITIONS PLEASE SEE INTEG.IT/TERMS_NZ

With laptop tray

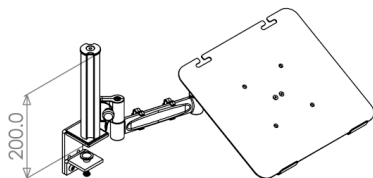


WORKSPACE PRODUCTIVITY TOOLS

MA4-2L2D

Integ, Apollo4 200mm desk mount (split clamp), laptop arm and Trae Mate - Silver

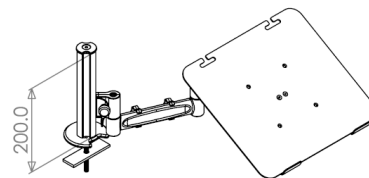
Weight limit: 12kg per arm, 25kg per pole



MA4-2L2KG

Integ, Apollo4 200mm desk mount (kidney grommet), laptop arm and Trae Mate - Silver

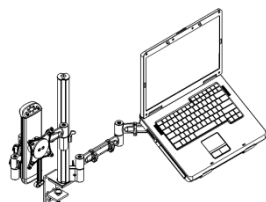
Weight limit: 12kg per arm, 25kg per pole



MA4-4B2L2D

Integ, Apollo4 400mm desk mount (split clamp), 2-limb Blade arm, laptop arm and Trae Mate - Silver

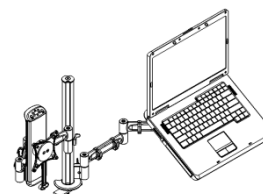
Weight limit: 2.5kg - 6kg per Blade arm, 12kg per Classic arm, 25kg per pole



MA4-4B2L2KG

Integ, Apollo4 400mm desk mount (kidney grommet), 2-limb Blade arm, laptop arm and Trae Mate - Silver

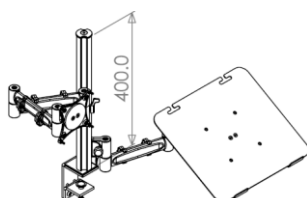
Weight limit: 2.5kg - 6kg per Blade arm, 12kg per Classic arm, 25kg per pole



MA4-4S2L2D

Integ, Apollo4 400mm desk mount (split clamp), 2-limb arm, laptop arm and Trae Mate - Silver

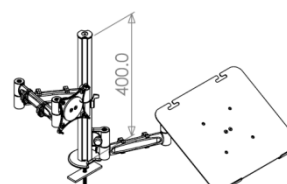
Weight limit: 12kg per arm, 25kg per pole



MA4-4S2L2KG

Integ, Apollo4 400mm desk mount (kidney grommet), 2-limb arm, laptop arm and Trae Mate - Silver

Weight limit: 12kg per arm, 25kg per pole



FOR TERMS & CONDITIONS PLEASE SEE INTEG.IT/TERMS_NZ



Modtec Industries Ltd
PO Box 14, Silverdale Auckland
0932, New Zealand

Phone

Fax
(+64) 9 426 9449

Email
order@integinternational.com



WORKSPACE PRODUCTIVITY TOOLS

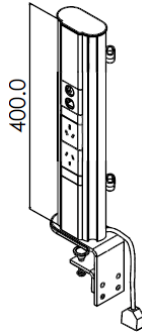
With electrical fittings

Full solutions

PP4-SPD-00

Integ, Apollo4P+ 400mm with adjustable split clamp, supplied with 2 GPO power, 2 data tiles and 500mm interconnecting lead - Silver

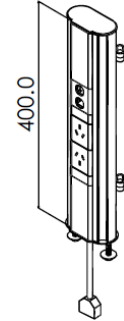
Weight limit: 50kg per pole
Colour: Silver



PP4-SPG-00

Integ, Apollo4P+ 400mm with grommet clamp, supplied with 2 GPO power, 2 data tiles and 500mm interconnecting lead - Silver

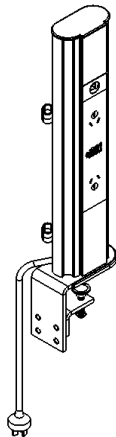
Weight limit: 50kg per pole
Colour: Silver



ELPP4-SPD-02

Integ, Apollo4P+ 400mm desk mount with Elsafe 2 power + twin USB fast charger, 1 data, 2m lead

Weight limit: 50kg per pole
Colour: Silver



ELPP4-SPG-01

Integ, Apollo4P+ 400mm with grommet mount, Elsafe 2 power + twin USB fast charger, 1 data, 2m lead

Weight limit: 50kg per pole
Colour: Silver



FOR TERMS & CONDITIONS PLEASE SEE INTEG.IT/TERMS_NZ



Modtec Industries Ltd
PO Box 14, Silverdale Auckland
0932, New Zealand

Phone

Fax
(+64) 9 426 9449

Email
order@integinternational.com



WORKSPACE PRODUCTIVITY TOOLS

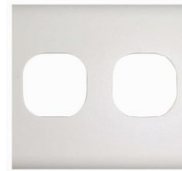
CMS Snap-in

Snap in CMS power/data assemblies

The following assemblies have an opening in the front suitable for specific CMS electrical components

CMS power 2 GPO

Note: The CMS part number given in the descriptions below (SW1802RWT) is for a white unit.



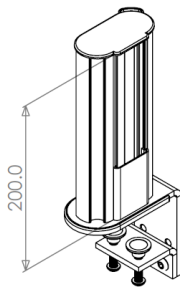
CMS dual data tiles ("clipsal")

Note: The CMS part number given in the descriptions below (SW18C-2WT) is for a white unit.

CMPP2-SPD-00

Integ, Apollo4P+ 200mm desk mount (split clamp), 2 power, CMS snap-in (1 x SW1802RWT) - Silver

Weight limit: 50kg per pole

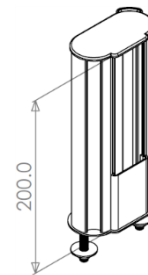


Requires a CMS dual GPO to be purchased separately

CMPP2-SPG-00

Integ, Apollo4P+ 200mm desk mount (grommet), 2 power, CMS snap-in (1 x SW1802RWT) - Silver

Weight limit: 50kg per pole

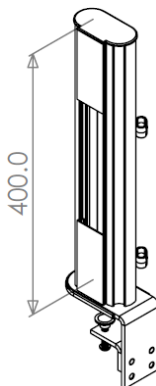


Requires a CMS dual GPO to be purchased separately

CMPP4-SPD-00

Integ, Apollo4P+ 400mm desk mount (split clamp), 2 power, 2 data, CMS snap-in (1 x SW1802RWT, 1 x SW18C-2WT) - Silver

Weight limit: 50kg per pole



Requires a CMS dual GPO to be purchased separately

CMPP4-SPG-00

Integ, Apollo4P+ 400mm desk mount (grommet), 2 power, 2 data, CMS snap-in (1 x SW1802RWT, 1 x SW18C-2WT) - Silver

Weight limit: 50kg per pole



Requires a CMS dual GPO to be purchased separately

FOR TERMS & CONDITIONS PLEASE SEE INTEG.IT/TERMS_NZ



Modtec Industries Ltd
PO Box 14, Silverdale Auckland
0932, New Zealand

Phone

Fax
(+64) 9 426 9449

Email
order@integinternational.com



WORKSPACE PRODUCTIVITY TOOLS

Elsafe Snap-in

Snap in Elsafe power/data assemblies

The following assemblies have an opening at the front that is suitable for specific Elsafe electrical components.

Elsafe power 2 GPO

Note: The Elsafe part number given in the descriptions below (152104) is for a white unit.



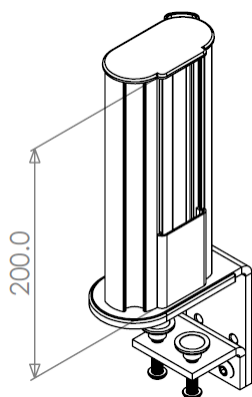
Elsafe data tiles - The tile on the left in the image shows a "clipsal" unit, the right unit is a "keystone" tile.

Note: The Elsafe part number given in the descriptions below (150778) is for a white "clipsal" unit.

ELPP2-SPD-00

Integ, Apollo4P+ 200mm desk mount (split clamp), Elsafe snap-in 2 power (Elsafe part No. 1 x 152104) - Silver

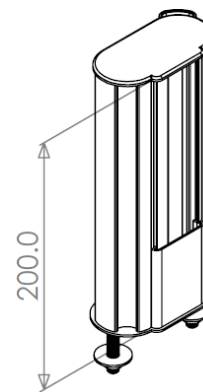
Weight limit: 50kg per pole
Electrical parts not included



ELPP2-SPG-00

Integ, Apollo4P+ 200mm desk mount (grommet), Elsafe snap-in 2 power (Elsafe part No. 1 x 152104) - Silver

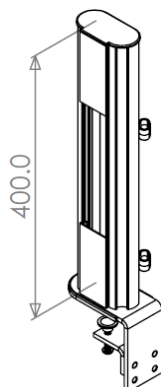
Weight limit: 50kg per pole
Electrical parts not included



ELPP4-SPD-00

Integ, Apollo4P+ 400mm desk mount (split clamp), Elsafe snap-in 2 power, 2 data (Elsafe part No. 1 x 152104, 2 x 150778) - Silver

Weight limit: 50kg per pole
Electrical parts not included



ELPP4-SPG-00

Integ, Apollo4P+ 400mm desk mount (grommet), Elsafe snap-in 2 power, 2 data (Elsafe part No. 1 x 152104, 2 x 150778) - Silver

Weight limit: 50kg per pole
Electrical parts not included



FOR TERMS & CONDITIONS PLEASE SEE INTEG.IT/TERMS_NZ



Modtec Industries Ltd
PO Box 14, Silverdale Auckland
0932, New Zealand

Phone

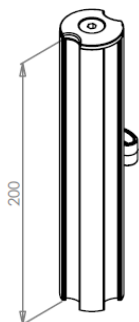
Fax
(+64) 9 426 9449

Email
order@integinternational.com

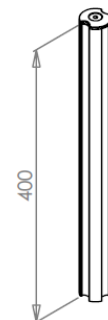
Desk Mount Extrusions



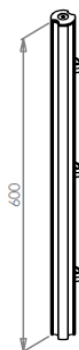
PPCD2-SW0-02 Apollo4 200mm with pole clips and cap



PPCD4-SW0-02 Apollo4 400mm with pole clips and cap



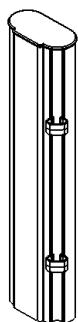
PPCD6-SW0-02 Apollo4 600mm with pole clips and cap



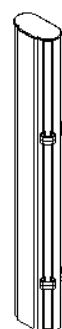
PPCD8-SW0-02 Apollo4 800mm with pole clips and cap



PPDP4-SW0-01 Apollo4 Power+ 400mm with pole clips, cap and duct cover



PPDP6-SW0-01 Apollo4 Power+ 600mm with pole clips, cap and duct cover



FOR TERMS & CONDITIONS PLEASE SEE INTEG.IT/TERMS_NZ



Modtec Industries Ltd
PO Box 14, Silverdale Auckland
0932, New Zealand

Phone

Fax
(+64) 9 426 9449

Email
order@integinternational.com



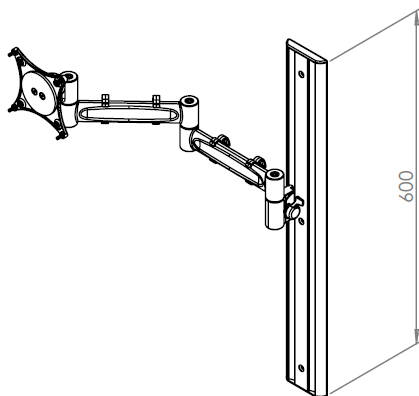
WORKSPACE PRODUCTIVITY TOOLS

Wall mount solutions

Single screen

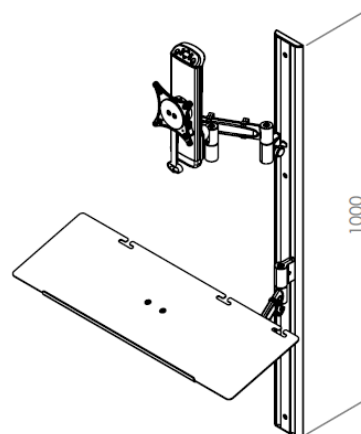
MDC-6S2WM 600mm Apollo2 wall mount with single professional series classic monitor arm

Weight limit: 12kg per arm



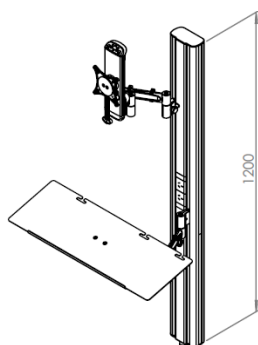
MDC-10B2K2WM 1000mm Apollo2 wall mount with single dynamic monitor arm and keyboard

Weight limit: 2.5kg - 6kg per arm
170mm of fingertip height adjustment



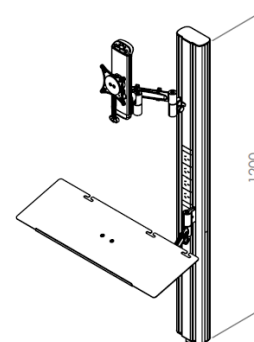
MBW-12B2K2WM-00 1200mm Apollo6 wall mount with dual CMS power, 1.5m thermal overload starter lead, single dynamic monitor arm and keyboard

Weight limit: 2.5kg - 6kg per arm
170mm of fingertip height adjustment



MBW-12B2K2WM-01 1200mm Apollo6 wall mount quad CMS power, 1.5m thermal overload starter lead, dual data, single dynamic monitor arm and keyboard

Weight limit: 2.5kg - 6kg per arm
170mm of fingertip height adjustment



FOR TERMS & CONDITIONS PLEASE SEE INTEG.IT/TERMS_NZ



Modtec Industries Ltd
PO Box 14, Silverdale Auckland
0932, New Zealand

Phone

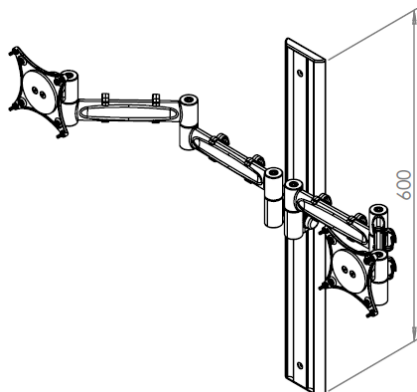
Fax
(+64) 9 426 9449

Email
order@integinternational.com

Dual screen

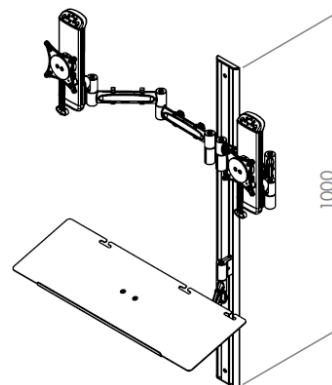
MDC-6D2WM 600mm Apollo2 wall mount with dual professional series classic monitor arm

Weight limit: 12kg per arm



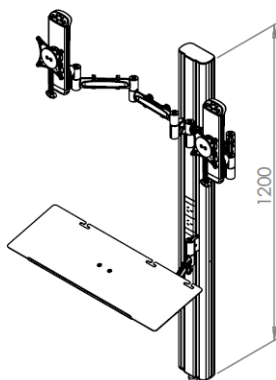
MDC-10DB2K2WM 1000mm Apollo2 wall mount with dual dynamic monitor arm and keyboard

Weight limit: 2.5kg - 6kg per arm
170mm of fingertip height adjustment



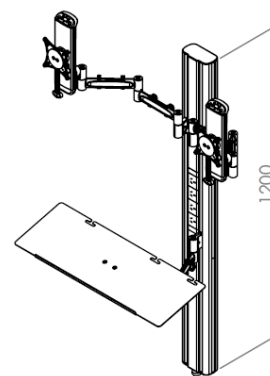
MBW-12DB2K2WM-00 1200mm Apollo6 wall mount with dual CMS power, 1.5m thermal overload starter lead, dual dynamic monitor arm and keyboard

Weight limit: 2.5kg - 6kg per arm
170mm of fingertip height adjustment



MBW-12DB2K2WM-01 1200mm Apollo6 wall mount with quad CMS power, 1.5m thermal overload starter lead, dual data, dual dynamic monitor arm and keyboard

Weight limit: 2.5kg - 6kg per arm
170mm of fingertip height adjustment



FOR TERMS & CONDITIONS PLEASE SEE INTEG.IT/TERMS_NZ



Modtec Industries Ltd
PO Box 14, Silverdale Auckland
0932, New Zealand

Phone

Fax
(+64) 9 426 9449

Email
order@integinternational.com

Wall mount Extrusions

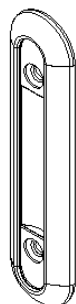


PPCC1-SW1-01

Apollo1, Single Slot, Wall Mount, 100mm w-caps

PPCC2-SW1-01

Apollo1, Single Slot, Wall Mount, 200mm w-caps



PPDC2-SW1-01

Apollo2 200mm wall mount with caps

PPDC4-SW1-01

Apollo2 400mm wall mount with caps

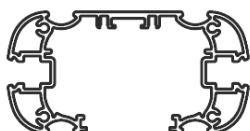


PPBW6-SW0-03

Apollo6 600mm wall mount with caps and duct covers

PPBW12-SW0-01

Apollo6 1200mm wall mount with caps and duct covers



FOR TERMS & CONDITIONS PLEASE SEE INTEG.IT/TERMS_NZ



Modtec Industries Ltd
PO Box 14, Silverdale Auckland
0932, New Zealand

Phone

Fax
(+64) 9 426 9449

Email
order@integinternational.com

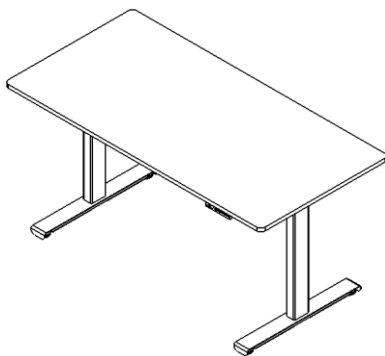
Electric height adjustment

Height Adjustable Tables

HA-W4BX-00

Integ Adjustatable

Max weight = 100kg
Min height = 750mm
Electric height adjustment = 430mm
4 height presets
1-press height adjustment
Illuminated height display
Bamboo top
Cable tray
Warranty: 5 years for frame, 3 years for motor



Available in New Zealand only

FOR TERMS & CONDITIONS PLEASE SEE INTEG.IT/TERMS_NZ



Modtec Industries Ltd
PO Box 14, Silverdale Auckland
0932, New Zealand

Phone

Fax
(+64) 9 426 9449

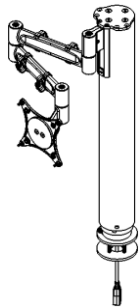
Email
order@integinternational.com

Electric kitset units

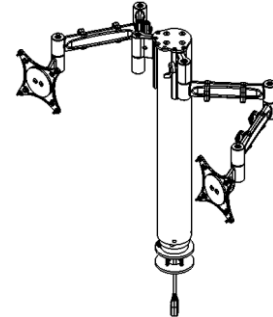


WORKSPACE PRODUCTIVITY TOOLS

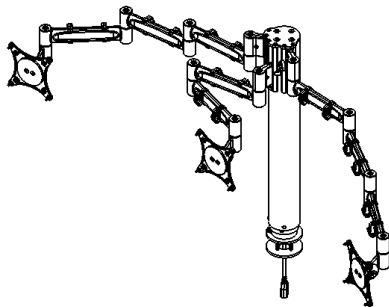
MCC-1.2S2G-00 Linak lifting column single screen assembly, grommet mounted on desk. Push button height adjustment: 660mm
Weight limit: 12kg per arm



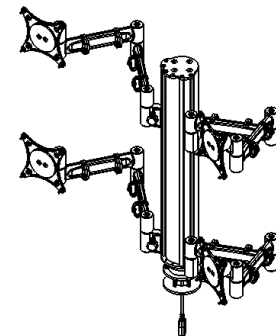
MCC - 1.2D2G-00 Linak lifting column dual screen assembly, grommet mounted on desk. Push button height adjustment: 660mm
Weight limit: 12kg per arm



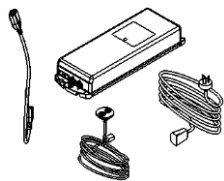
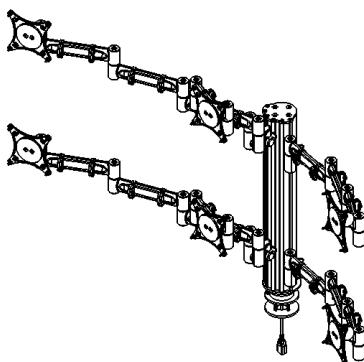
MCC-1.2S2D3G-00 Linak lifting column triple screen assembly, grommet mounted on desk. Push button height adjustment: 660mm
Weight limit: 6kg per arm



MCC-1.2Q2G-00 Linak lifting column quad screen assembly, grommet mounted on desk. Push button height adjustment: 660mm
Weight limit: 25kg total



MCC-1.2D2Q3G-00 Linak lifting column six screen assembly, grommet mounted on desk. Push button height adjustment: 660mm
Weight limit: 25kg total



All of these electric kitset units come with the following parts:

- 1 x Control box
- 1 x Switch
- 1 x Power cable
- 1 x Interconnecting cable

FOR TERMS & CONDITIONS PLEASE SEE INTEG.IT/TERMS_NZ



Modtec Industries Ltd
PO Box 14, Silverdale Auckland
0932, New Zealand

Phone

Fax
(+64) 9 426 9449

Email
order@integinternational.com

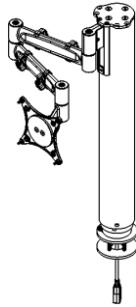


WORKSPACE PRODUCTIVITY TOOLS

Electric kitset units – For existing Linak desks

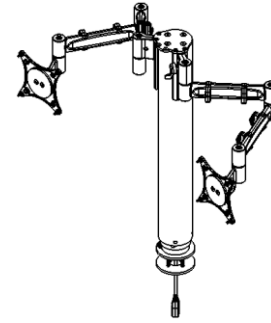
MCC-1.2S2G-01

Linak lifting column single screen assembly, grommet mounted on desk. No control box supplied.
Push button height adjustment: 660mm
Weight limit: 12kg per arm



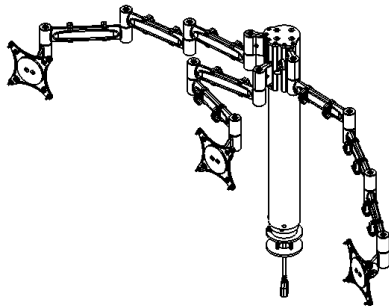
MCC- 1.2D2G-01

Linak lifting column dual screen assembly, grommet mounted on desk. No control box supplied.
Push button height adjustment: 660mm
Weight limit: 12kg per arm



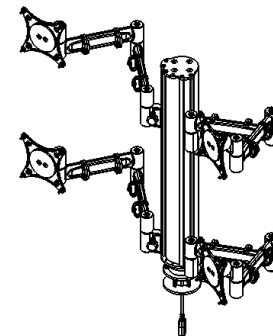
MCC-1.2S2D3G-01

Linak lifting column triple screen assembly, grommet mounted on desk. No control box supplied.
Push button height adjustment: 660mm
Weight limit: 6kg per arm



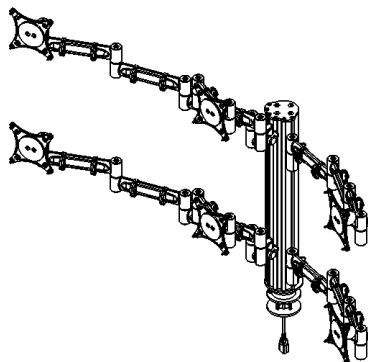
MCC-1.2Q2G-01



Linak lifting column quad screen assembly, grommet mounted on desk. No control box supplied.
Push button height adjustment: 660mm
Weight limit: 25kg total



MCC-1.2D2Q3G-01

Linak lifting column six screen assembly, grommet mounted on desk - No control box supplied.
Push button height adjustment: 660mm
Weight limit: 25kg total



		All of these electric kitset units come with the following parts: 1 x Switch 1 x Interconnecting cable
---	--	--

FOR TERMS & CONDITIONS PLEASE SEE INTEG.IT/TERMS_NZ



Modtec Industries Ltd
PO Box 14, Silverdale Auckland
0932, New Zealand

Phone

Fax
(+64) 9 426 9449

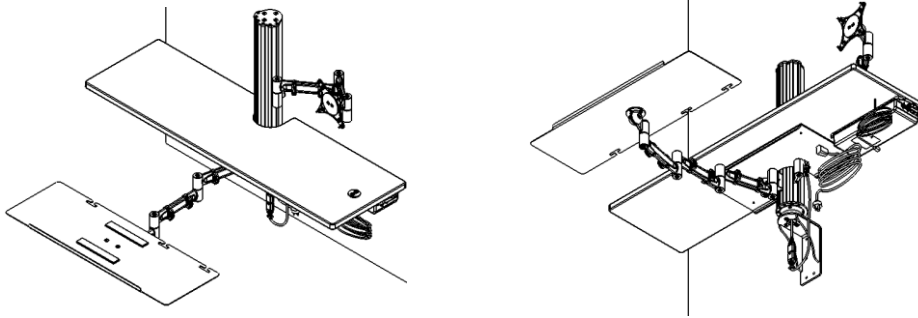
Email
order@integinternational.com

Electric kitset unit – Other layouts in development

DEV3729

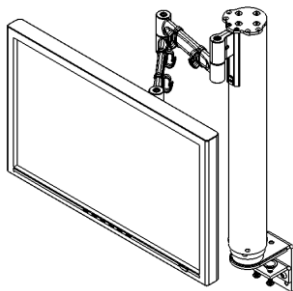
Wall mounted lifting column with the following:

- 2-Limb arm
- Keyboard on a 3-Limb arm
- Shelf/Work surface



DEV3610

Linak lifting column single screen assembly, split clamp on desk.
Push button height adjustment: 660mm
Weight limit: 12kg per arm



FOR TERMS & CONDITIONS PLEASE SEE INTEG.IT/TERMS_NZ



Modtec Industries Ltd
PO Box 14, Silverdale Auckland
0932, New Zealand

Phone

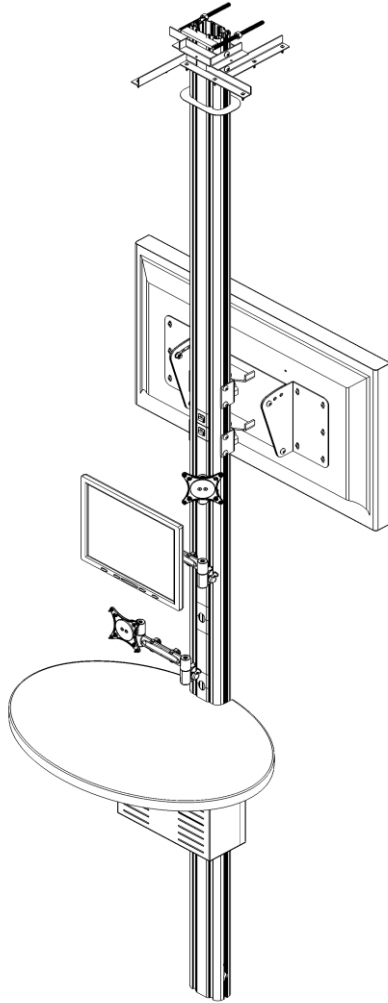
Fax
(+64) 9 426 9449

Email
order@integinternational.com

Floor to ceiling

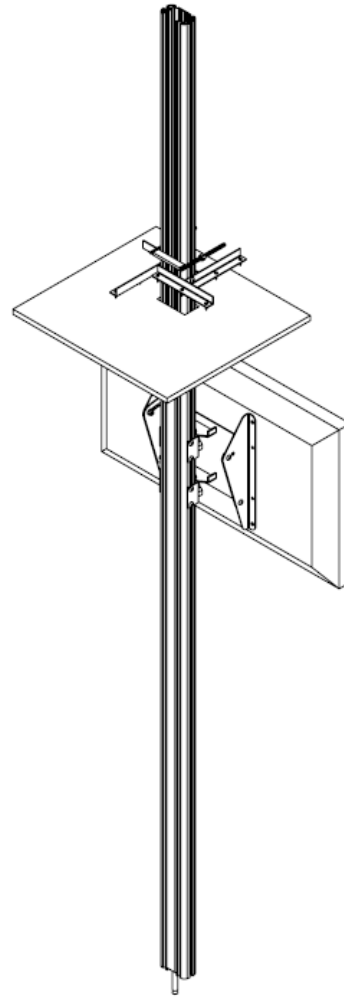
ASB-FC3.5-02

Apollo6 3.5m floor to ceiling with table bracket, CPU holder, 0-limb monitor arm and 600x200 large screen monitor bracket



ZE-FC-3.75-00

Apollo6 3.75m floor to ceiling with 400x400 large screen monitor bracket



FOR TERMS & CONDITIONS PLEASE SEE INTEG.IT/TERMS_NZ



Modtec Industries Ltd
PO Box 14, Silverdale Auckland
0932, New Zealand

Phone

Fax
(+64) 9 426 9449

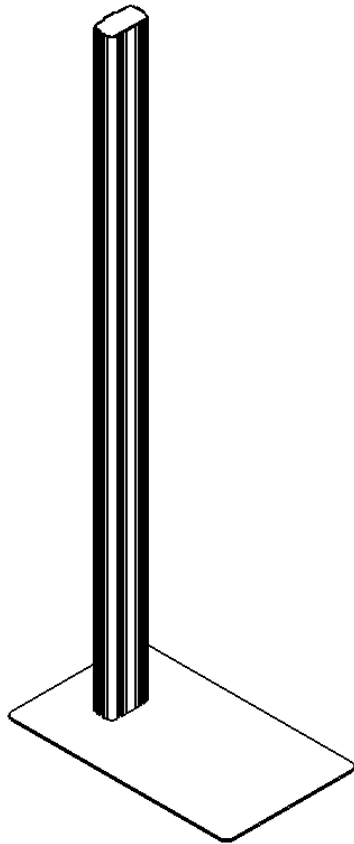
Email
order@integinternational.com

Freestanding Solutions



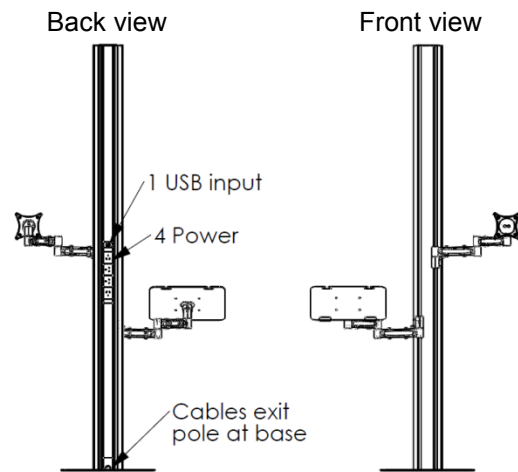
PPBF18-SW0-02

Apollo6 1.8m freestanding floor mount with 4 power and 1 USB.



Example for use:

Add a laptop tray and standard monitor arm for a standing solution that can be moved to wherever it is required. Note: There are cables coming out of the bottom of this that need to be plugged in to get the use out of the 4 power and 1USB on the back of the pole.



FOR TERMS & CONDITIONS PLEASE SEE INTEG.IT/TERMS_NZ



Modtec Industries Ltd
PO Box 14, Silverdale Auckland
0932, New Zealand

Phone

Fax
(+64) 9 426 9449

Email
order@integinternational.com

Divider Screen Mount Solutions

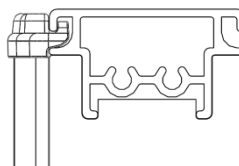
Integ can make custom adapter fittings for some of our poles that fit in to existing office furniture such as screen dividers. Below are examples we have done.

PPCC3.5-SLX-00

Apollo1 350mm screen mount

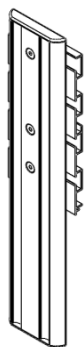


This solution is suitable for the Lexicon screen extrusion (profile shown)



PPDC4-SAH-03

Integ, Apollo2 400mm Screen Mount (With 3 T-Nuts) - xone



This solution is suitable for the Xone screen extrusion (profile shown)



PSVP4-SW1-05

Integ, Extended keyway VESA monitor mount



This solution is suitable for getting the monitor as close to the screen as possible while providing basic height adjustment

Note: Requires an Integ pole/mount that is at least 300mm long

FOR TERMS & CONDITIONS PLEASE SEE INTEG.IT/TERMS_NZ



Modtec Industries Ltd
PO Box 14, Silverdale Auckland
0932, New Zealand

Phone

Fax
(+64) 9 426 9449

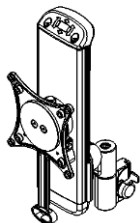
Email
order@integinternational.com

Monitor arms

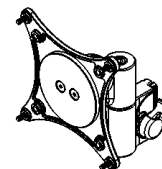


WORKSPACE PRODUCTIVITY TOOLS

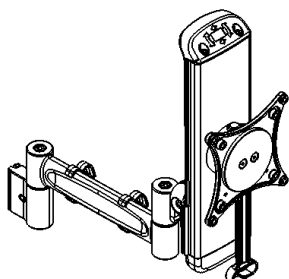
MAKPO-SAR-10BR Mercury 2-limb arm, front loading wedge, Blade Runner
 Colour: Silver Weight limit = 2.5 - 6kg
 170mm of fingertip height adjustment



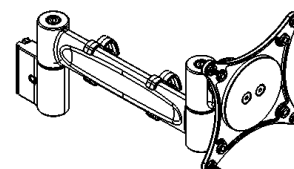
MAKPO-SAR-10 Mercury 0-limb arm, front loading wedge, 360° knuckle
 Colour: Silver Weight limit = 12kg



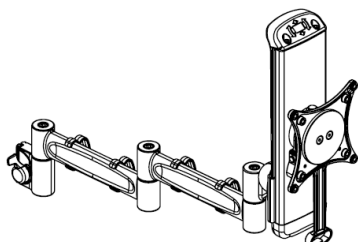
MAKP1-SAR-10BR Mercury 2-limb arm, front loading wedge, Blade Runner
 Colour: Silver Weight limit = 2.5 - 6kg
 170mm of fingertip height adjustment



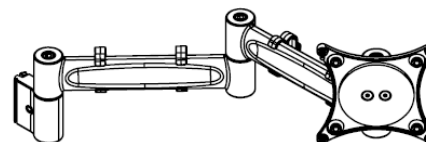
MAKP1-SAR-10 Mercury 2-limb arm, front loading wedge, 360° knuckle
 Colour: Silver Weight limit = 12kg



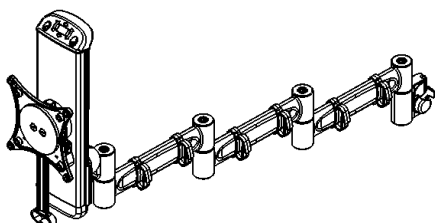
MAKP2-SAR-10BR Mercury 2-limb arm, front loading wedge, Blade Runner
 Colour: Silver Weight limit = 2.5 - 6kg
 170mm of fingertip height adjustment



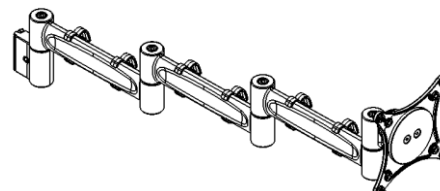
MAKP2-SAR-10 Mercury Classic Professional Series Single Monitor Arm
 Mercury 2-limb arm, front loading wedge, 360° knuckle
 Colour: Silver Weight limit = 12kg



MAKP3-SAR-10BR Mercury 2-limb arm, front loading wedge, Blade Runner
 Colour: Silver Weight limit = 2.5 - 6kg
 170mm of fingertip height adjustment



MAKP3-SAR-10 Mercury 3-limb arm, front loading wedge, 360° knuckle
 Colour: Silver Weight limit = 6kg



FOR TERMS & CONDITIONS PLEASE SEE INTEG.IT/TERMS_NZ



Modtec Industries Ltd
 PO Box 14, Silverdale Auckland
 0932, New Zealand

Phone

Fax
 (+64) 9 426 9449

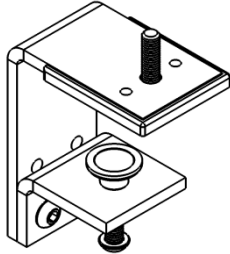
Email
order@integinternational.com

Desk clamps



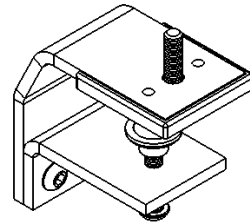
PCPD9-SA2-02

Integ slimline split clamp with locking holes for Apollo4



PCPD9-SW0-06

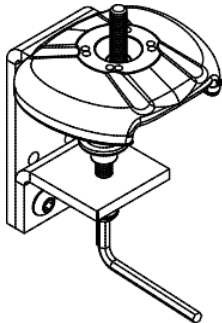
Slimline split clamp angled



Suitable for desks with a Lexicon cable tray

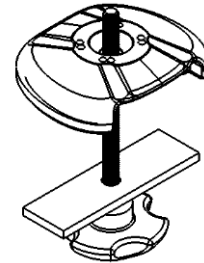
PCPD9-SW0-01

Apollo4 split clamp



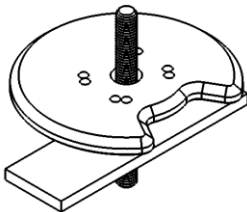
PCPG6-SW0-00

Integ grommet clamp, diecast top for Apollo4



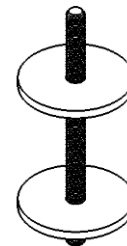
PCPG2-SW0-01

Kidney grommet clamp Apollo4 pole



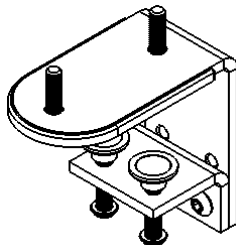
PCPG4-SP2-00

Grommet clamp, 50mm disc x 2 for Apollo4



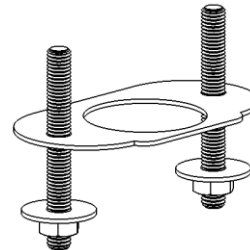
PCPD9-SPP-00

Apollo4 Power+ Split clamp



PCPG7-SPP-00

Apollo4 Power+ Grommet clamp



FOR TERMS & CONDITIONS PLEASE SEE INTEG.IT/TERMS_NZ



Modtec Industries Ltd
PO Box 14, Silverdale Auckland
0932, New Zealand

Phone

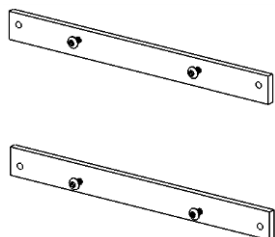
Fax
(+64) 9 426 9449

Email
order@integinternational.com

Large Screen brackets

Adapters for standard arms

PSVP3-SW0-01 200x100 VESA Adapter

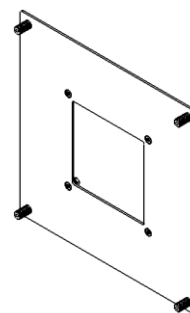


Suitable for screens with a hole pattern of :
200 x 100mm

No screws supplied to attach to the monitor.

PSVP2-SW0-00

200x200mm VESA Adapter Assembly



Suitable for screens with a hole pattern of :
200 x 200mm

M6 and M8 monitor screws supplied.

FOR TERMS & CONDITIONS PLEASE SEE INTEG.IT/TERMS_NZ



Modtec Industries Ltd
PO Box 14, Silverdale Auckland
0932, New Zealand

Phone

Fax
(+64) 9 426 9449

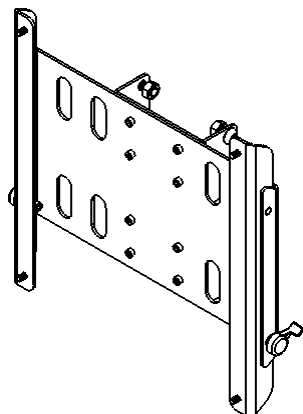
Email
order@integinternational.com

Large brackets for Apollo6 mounting



ASB-SSM-00

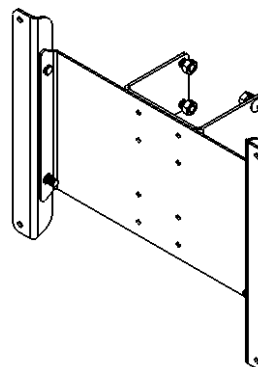
300x300 Large Screen Mount



Suitable for screens with a hole pattern of :
300 x 300mm
Requires an Integ Apollo6 to mount to.
M6 monitor screws supplied.
Monitor fixed in position once installed.

ASB-SSM-01

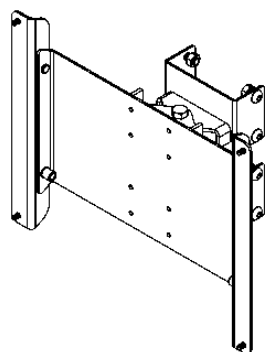
Fixed Screen Mount 400x300



Suitable for screens with a hole pattern of :
400 x 300mm
Requires an Integ Apollo6 to mount to.
M6 monitor screws supplied.
Monitor fixed in position once installed.

FC-SMM-03

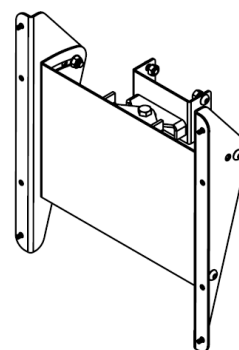
Apollo6 400x300 Rotating Monitor Bracket with Std Mounts



Suitable for screens with a hole pattern of :
400 x 300mm
Requires an Integ Apollo6 to mount to.
M6 monitor screws supplied.
Monitor able to rotate once installed.

FC-SMM-00

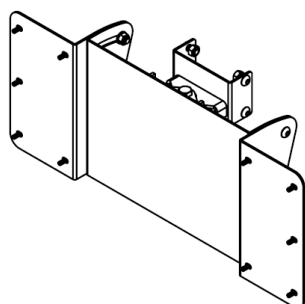
Adjustable TV Mount 400x400



Suitable for screens with a hole pattern of :
400 x 400mm
400 x 200mm
Requires an Integ Apollo6 to mount to.
M6 monitor screws supplied.
Monitor able to tilt and rotate once installed.

SAM0627

600x200 Monitor Mount



Suitable for screens with a hole pattern of :
600 x 200mm
400 x 200mm
Requires an Integ Apollo6 to mount to.
M6 monitor screws supplied
Monitor able to tilt and rotate once installed.

FOR TERMS & CONDITIONS PLEASE SEE INTEG.IT/TERMS_NZ



Modtec Industries Ltd
PO Box 14, Silverdale Auckland
0932, New Zealand

Phone

Fax
(+64) 9 426 9449

Email
order@integinternational.com

Accessories



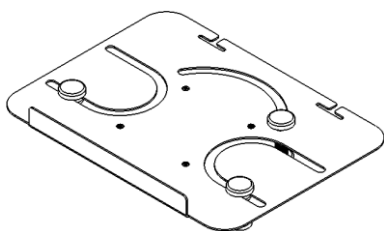
WORKSPACE PRODUCTIVITY TOOLS

Trays

PXTK1-SAT-00

Tabmate 2

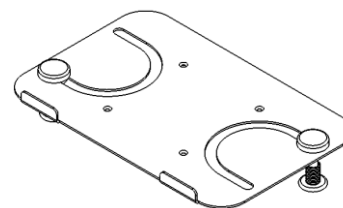
- Suitable for tablets up to 300mm x 205mm x 18mm (Up to Surface Pro 3)
- Rubber topped, spring loaded grippers for easy tablet attachment and removal



PXTK1-SAT-01

Tabmate 1

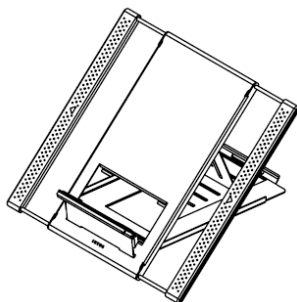
- Suitable for tablets up to 242mm x 186mm x 18mm (Up to iPad 4)
- Rubber topped, spring loaded grippers for easy tablet attachment and removal



SAM0517X

Laptop Cobber

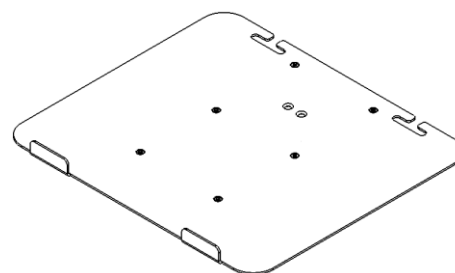
Folds down flat and helps prevent strains from prolonged laptop use. Comes with a protective neoprene bag which doubles as a mouse pad.



PXTK1-SAS-02

Trae Mate

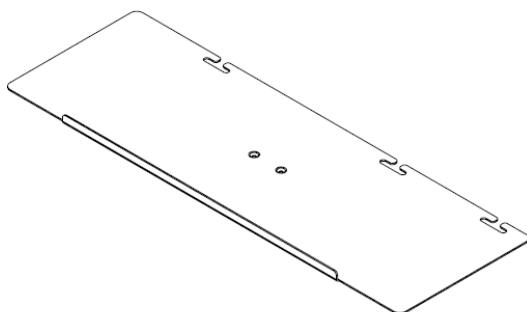
Integ Trae Mate, laptop tray 320mm x 285mm



PXTK1-SAK-06

Integ Keyboard tray with wide holes

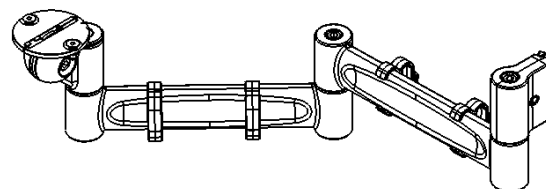
- Requires special keyboard arm



MAKP2-SLL-10K.02

Integ Keyboard arm

2-Limb Mercury arm with keyboard knuckle

FOR TERMS & CONDITIONS PLEASE SEE INTEG.IT/TERMS_NZ

Modtec Industries Ltd
PO Box 14, Silverdale Auckland
0932, New Zealand

Phone

Fax
(+64) 9 426 9449

Email
order@integinternational.com

Arm Limiter

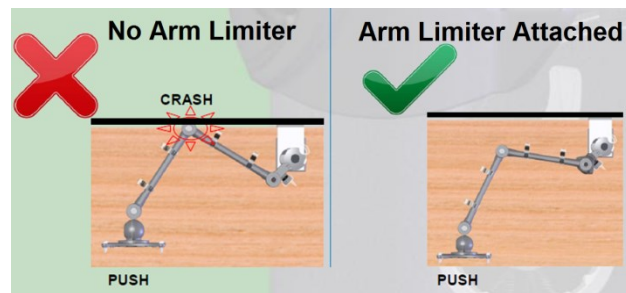
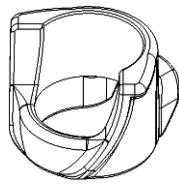
Arm limiters are useful when an arm is being used in the following circumstances:

- On a height adjustable table
- Near walls
- Near privacy screens
- Near desk partitions

SAM1179

Apollo Arm limiter

Colour: Black



FOR TERMS & CONDITIONS PLEASE SEE INTEG.IT/TERMS_NZ



Modtec Industries Ltd
PO Box 14, Silverdale Auckland
0932, New Zealand

Phone

Fax
(+64) 9 426 9449

Email
order@integinternational.com

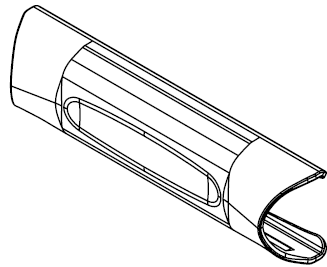
Cable clips



SAM0967

Mercury cable cover

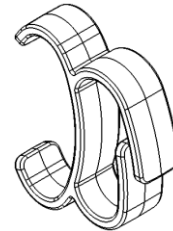
Colour: Silver



PSPA1-CLC-00

Limb clips

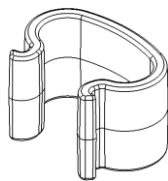
Plastic clear clips to attach to Integ arms.
Limb clips supplied in bags of 12.



PSPA1-CPC-00

Pole clips

Plastic clear clips to attach to Integ poles.
Pole clips supplied in bags of 12.



FOR TERMS & CONDITIONS PLEASE SEE INTEG.IT/TERMS_NZ



Modtec Industries Ltd
PO Box 14, Silverdale Auckland
0932, New Zealand

Phone

Fax
(+64) 9 426 9449

Email
order@integinternational.com

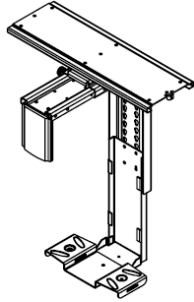
CPU holders



SAM0597X

Adjustable Slide & Rotate CPU Holder

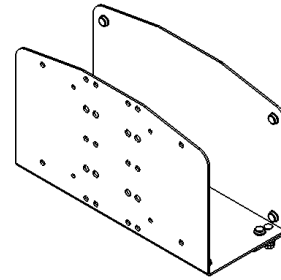
Height adjustment from 24.7cm - 46.2cm Width adjustment from 8.5mm (0.85cm) - 24.5cm



PXTK1-SWC-03

CPU Holder #3

Width adjustment from 9.2cm - 12cm



Other sizes available of this type of holder:

PXTK1-SWC-01 3.4cm - 6.4cm

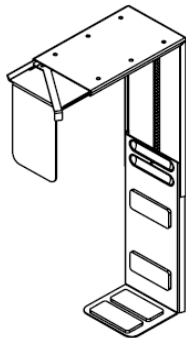
PXTK1-SWC-02 6.4cm - 9.4cm

PXTK1-SWC-04 11.3cm - 19.9cm

SAM1057X

Anchor Adjustable CPU Holder

Height adjustment from 31cm - 55cm Width adjustment from 6.8cm - 26cm



FOR TERMS & CONDITIONS PLEASE SEE INTEG.IT/TERMS_NZ



Modtec Industries Ltd
PO Box 14, Silverdale Auckland
0932, New Zealand

Phone

Fax
(+64) 9 426 9449

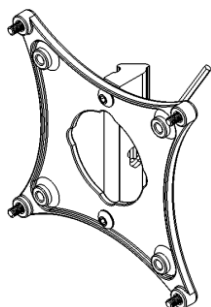
Email
order@integinternational.com

Thin Client Mounts

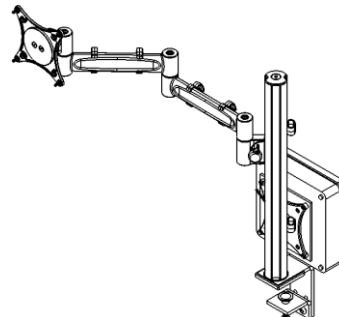


WORKSPACE PRODUCTIVITY TOOLS

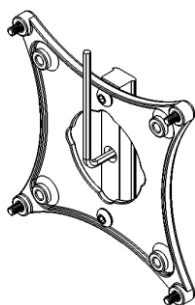
PSVP4-SW1-01 Integ, VESA-Angled Keyway Mount



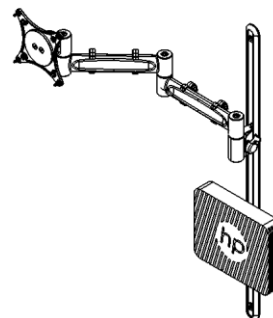
Suitable for attaching a thin client to a post where the slot is in an angled orientation. E.g. Desk mounted solutions



PSVP4-SW1-03 Integ, VESA + Keyway Lock



Suitable for attaching a thin client to a post where the slot is in a straight orientation. E.g. Wall mounted solutions



FOR TERMS & CONDITIONS PLEASE SEE INTEG.IT/TERMS_NZ



Modtec Industries Ltd
PO Box 14, Silverdale Auckland
0932, New Zealand

Phone

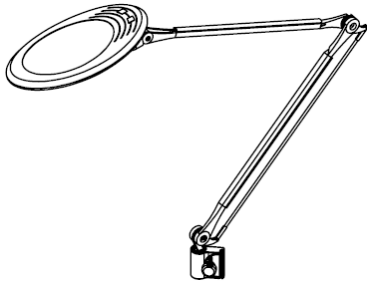
Fax
(+64) 9 426 9449

Email
order@integinternational.com

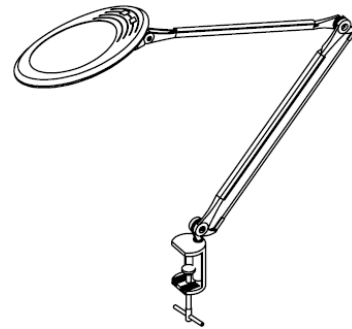
Lights



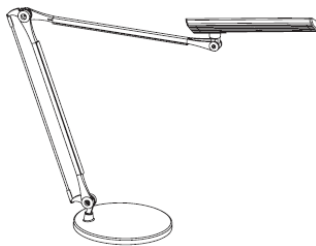
SAM1058X.01 Ellipse Task Light with front loading wedge



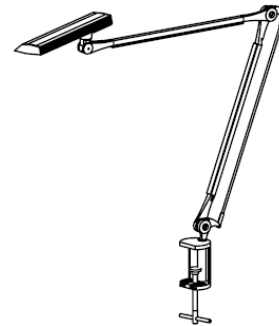
SAM1058X Ellipse Task Light with split clamp



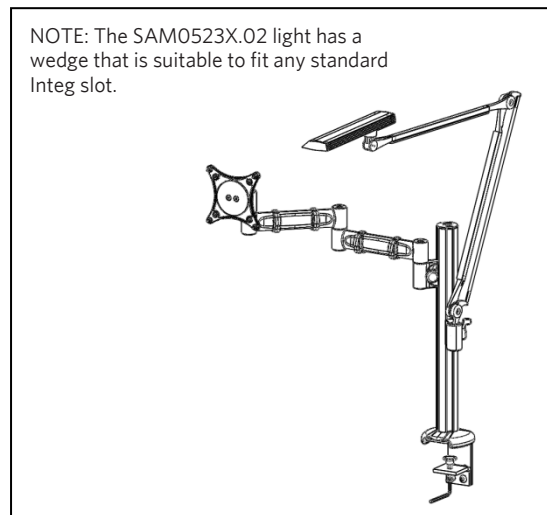
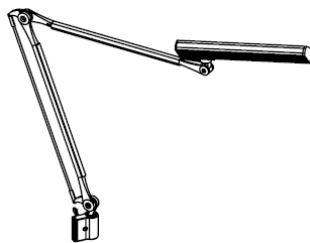
SAM0523X Light Head with Base
Double arm LED task light with base



SAM0598X Light Head with Split Clamp
Inted task light double arm with split clamp



SAM0523X.02 Light Head with Front Loading Wedge
Integ task light with modified front loading wedge sub assembly



FOR TERMS & CONDITIONS PLEASE SEE INTEG.IT/TERMS_NZ



Modtec Industries Ltd
PO Box 14, Silverdale Auckland
0932, New Zealand

Phone

Fax
(+64) 9 426 9449

Email
order@integinternational.com

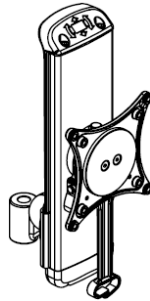
Retrofit



WORKSPACE PRODUCTIVITY TOOLS

PSBR-SW0-00 Blade Runner
Colour: Silver

Weight limit: 2.5-6kg
Range: 170mm



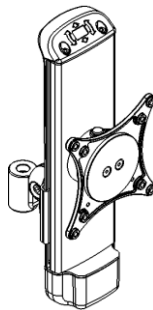
Suitable for upgrading any Integ Mercury arms to Integ Dynamic height adjustment arms.

e.g.

PSBR-SW0-01 Heavy Duty Blade Runner
Colour: Silver

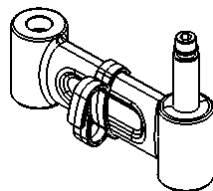
Weight limit: 6-12kg
Range: 140mm

Out of stock, enquire for availability



PSAA1-SA0-05 Spare 1 Limb Arm, 100mm With Pin
Colour: Silver

1/2 length limb



Note: This limb is useful if there is some obstruction behind the desk such as a wall or a modesty panel. The monitors can be pushed closer to the pole before the arm hits the obstruction.

Suitable for applications where a full length second limb may put the screens too close to the user

1 limb arm → 1.5 limb arm

Comparison.

1.5 limb arms 2 limb arms

FOR TERMS & CONDITIONS PLEASE SEE INTEG.IT/TERMS_NZ



Modtec Industries Ltd
PO Box 14, Silverdale Auckland
0932, New Zealand

Phone

Fax
(+64) 9 426 9449

Email
order@integinternational.com